

## RBB 1 - Retractable "Big Boy" HIGH Security Bollard - 1400D

Truck Stop bollard - Retracts below ground into sleeve, with visible flush cap.  
 Extra strong and built in tamper proof features.

### Standard Features

- Premium class design manufactured in Western Australia
- Bollard manufactured from 1400D x 5mm WT pipe
- **EXTRA STRONG** - Internal solid lockbar through centre of bollard & internal cover plate to prevent access to lock
- Tamper proof design - engineered to resist **SUSTAINED** professional attacks eg. no screws & entirely steel construction
- Corrosion resistant, galvanised steel, plastic primer & tough powder coat
- Versatile 6-pin key lock can be keyed to match existing keys
- Weight Assisted (WA) as standard, lift handle lowers to be flush with top cap
- Fully serviceable / repairable within WA, all parts available locally

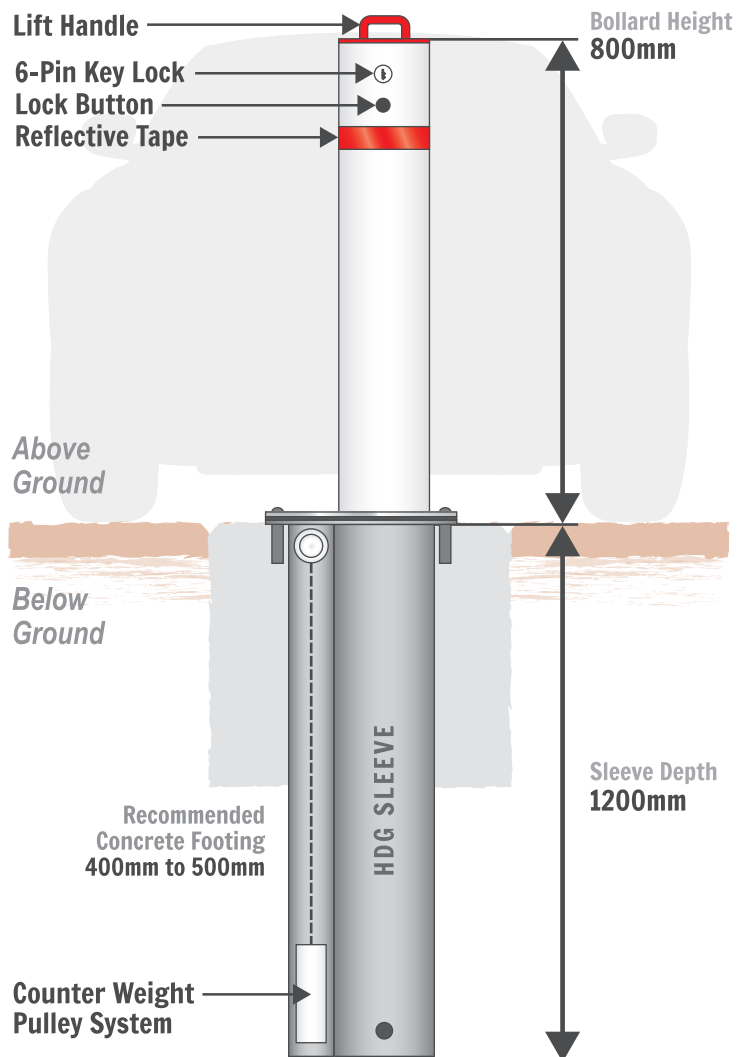
### Optional Features

- Any Powder Coat colour or combination of body / cap (extra costs apply)
- Stainless Steel Grade 304 or 316
- Also available in Removable (R) format

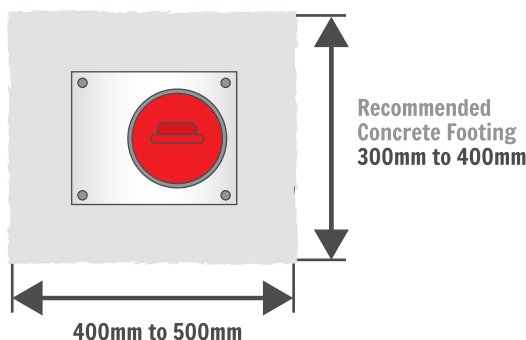
### Australian Standards

- AS 1163 & 1074 Grade C250, Structural Steel Hollow Section
- AS 1450 Steel Tube & AS4792 HDG Coating
- AS 4506-2005 & AS3754-1990 Powder Coating
- AS 4680:2006 - Hot Dip Galvanized (zinc) coatings on fabricated ferrous
- AS 1627.4-2005 Abrasive Blasting

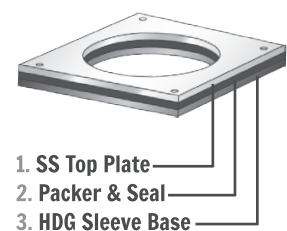
### OVERVIEW



### TOP VIEW



### TOP PLATE SEAL DETAILS



## RBB 2 - HD Retractable "Big Boy" HIGH Security Bollard - 1680D

Heavy Duty Truck Stop bollard - Retracts below ground into sleeve, with visible flush cap.  
Extra strong and built in tamper proof features.

### Standard Features

- Premium class design manufactured in Western Australia
- Steel bollard manufactured from 1680D x 6.4mm WT HEAVY DUTY line pipe
- EXTRA STRONG - Internal solid lockbar through centre of bollard & internal cover plate to prevent access to lock
- Tamper proof design - engineered to resist SUSTAINED professional attacks eg. no screws & entirely steel construction
- Corrosion resistant, galvanised steel, plastic primer & tough powder coat
- Versatile 6-pin key lock can be keyed to match existing keys
- Weight Assisted (WA) as standard, lift handle lowers to be flush with top cap

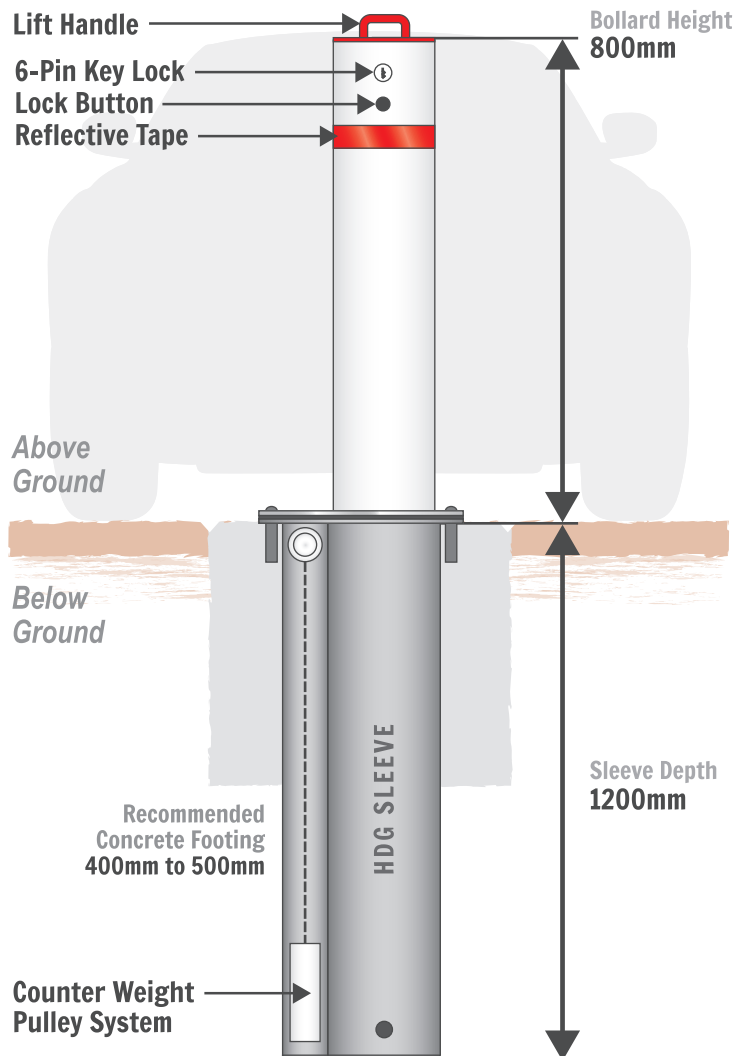
### Optional Features

- Any Powder Coat colour or combination of body / cap (extra costs apply)
- Stainless Steel Grade 304 or 316
- Also available in Removable (R) format

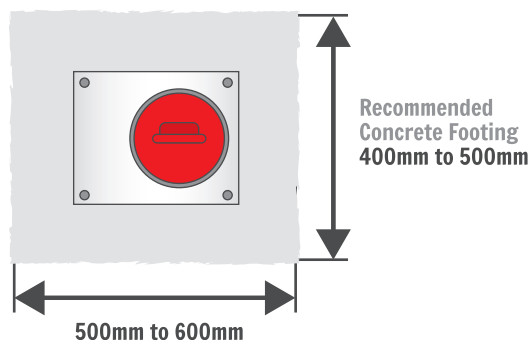
### Australian Standards

- AS 1163 & 1074 Grade C250, Structural Steel Hollow Section
- AS 1450 Steel Tube & AS4792 HDG Coating
- AS 4506-2005 & AS3754-1990 Powder Coating
- AS 4680:2006 - Hot Dip Galvanized (zinc) coatings on fabricated ferrous
- AS 1627.4-2005 Abrasive Blasting

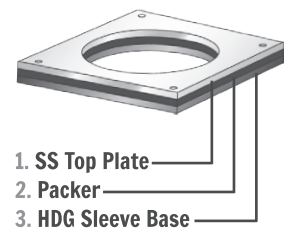
### OVERVIEW



### TOP VIEW

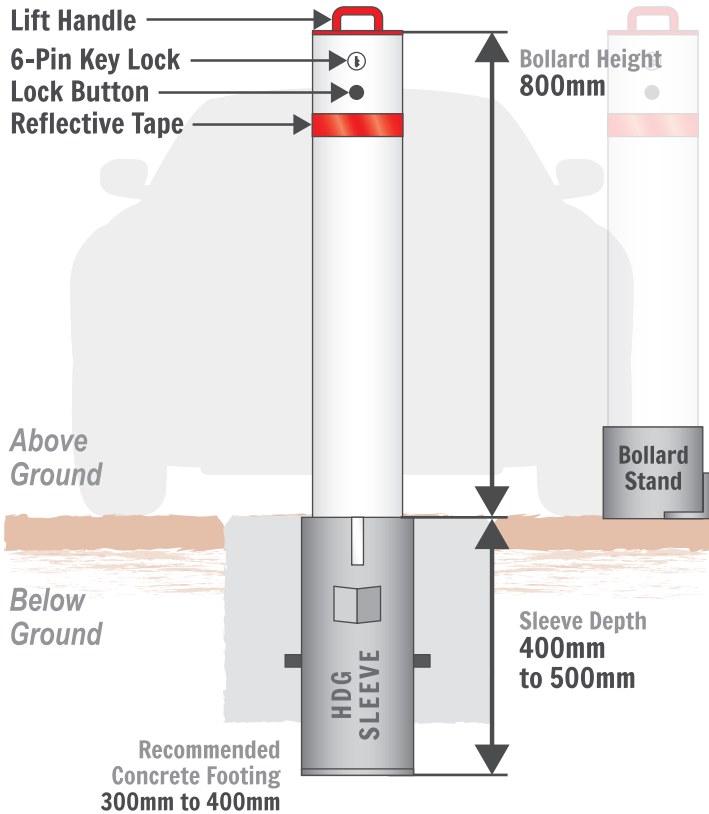


### TOP PLATE SEAL DETAILS

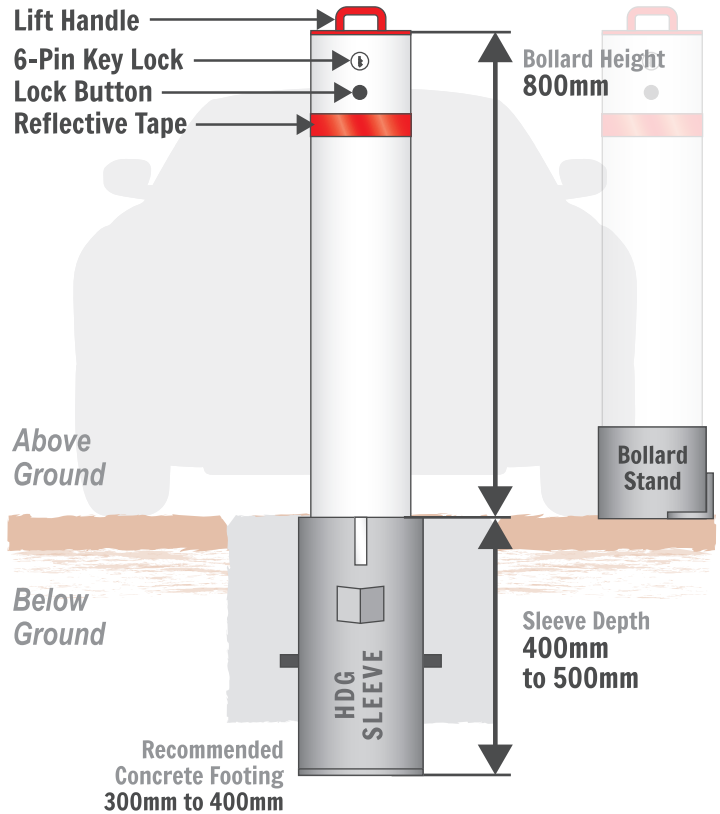


**RBB 1 & 2 - "Big Boy" HIGH Security Bollards - Optional Models**

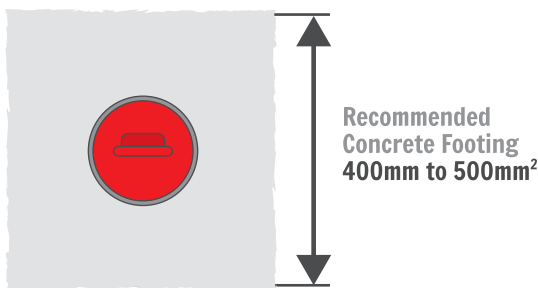
**RBB 1-800-R**



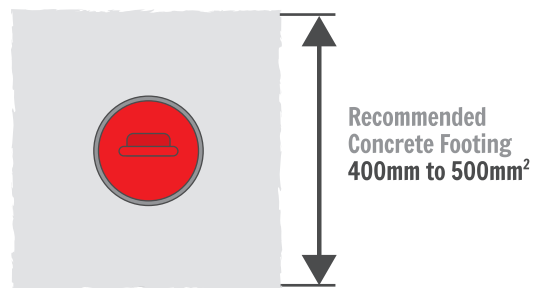
**RBB 2-800-R**



**RBB 1 TOP VIEW**



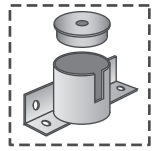
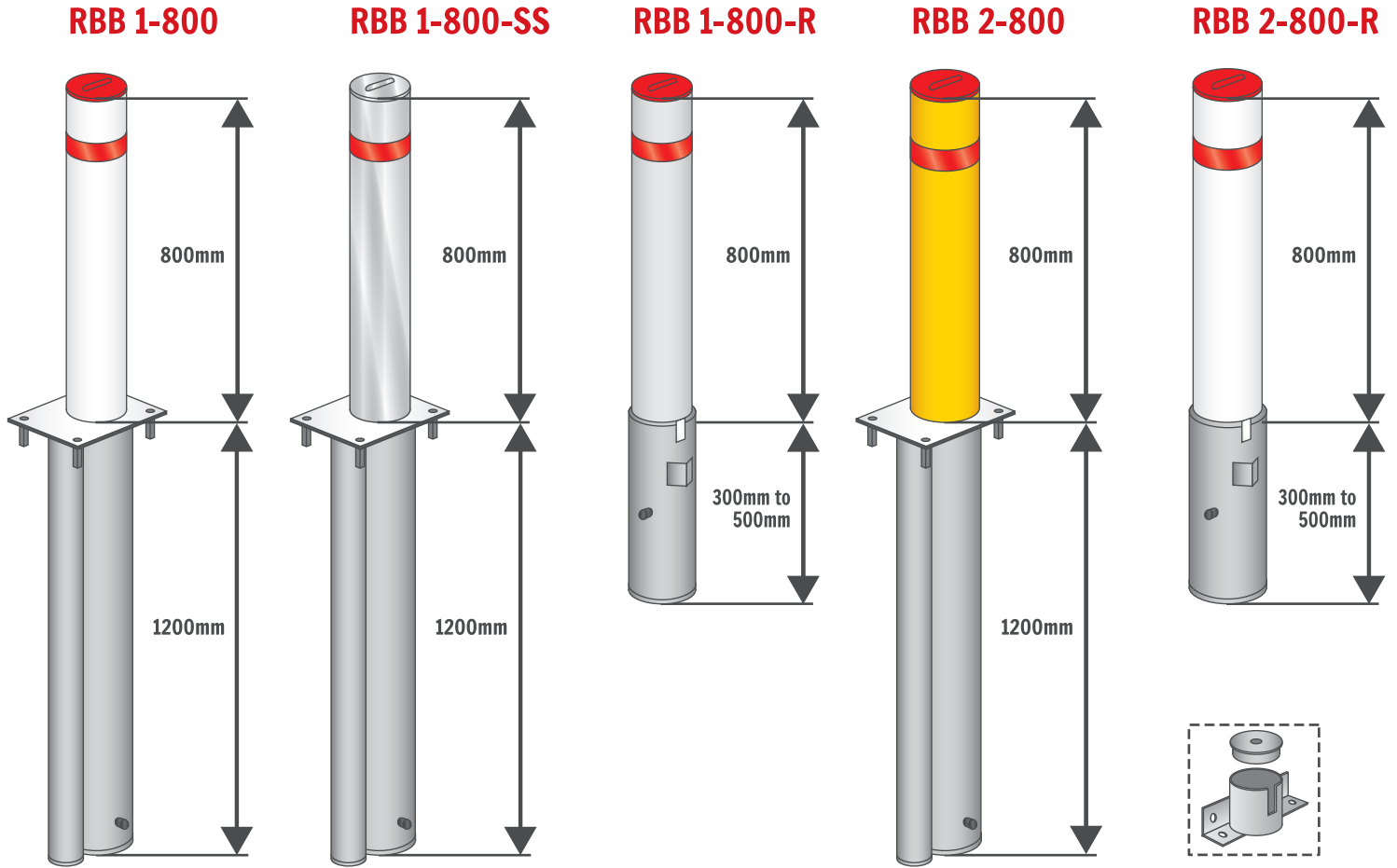
**RBB 2 TOP VIEW**



**RBB Removable (R) Features**

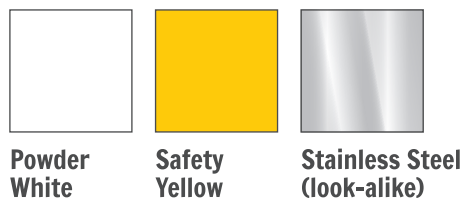
- Removal of bollard by lifting out of base sleeve
- Allows for storage of bollard separately on stand
- Ideal for shallow ground excavation

**RBB 1 & 2 - "Big Boy" HIGH Security Bollards - Model Numbers**



**Optional Bollard Storage Stand & Cover**  
 (Removable only)

**Available "Tough" Plastic Coatings**  
 Stocked Standard Colours



**Powder White**

**Safety Yellow**

**Stainless Steel (look-alike)**

Also available in any standard Dulux® powder coat colour. View range at [www.duluxpowder.com.au](http://www.duluxpowder.com.au). Additional costs may apply.

*Additional finishes and sizing options also available upon request - ask our friendly staff for more information.*